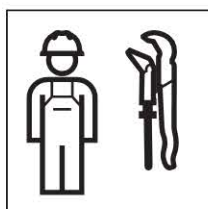


Installation Manual

Montageanleitung
Instructions de montage
Istruzioni per il montaggio

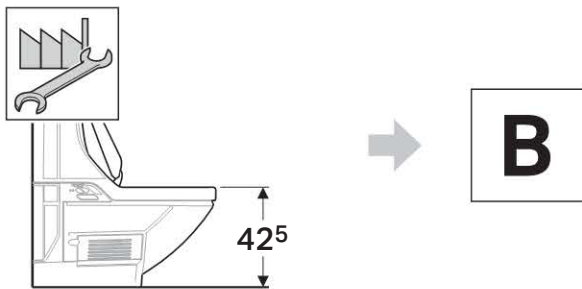
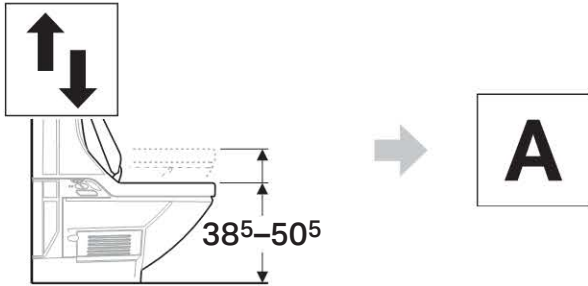




Information

Setting the seat height

The factory setting for the seat height is 42.5 cm.
 If you wish to use this height, proceed to step B.
 If the customer wishes the seat height to be different from the factory setting, proceed to step A.



Explanation of symbols

Table 1: Symbols in the instructions

Symbol	Meaning
DANGER 	Refers to an immediately dangerous situation that may cause serious injury or death
WARNING 	Refers to a potentially dangerous situation that may cause serious injury or death
CAUTION 	Refers to a potentially dangerous situation that may cause slight or moderate injury or material damage
	Refers to important information
	Indicates that an inspection must be carried out
	Refers to correct usage



Safety

Target group

The Geberit product is only to be installed by a qualified installer in accordance with the installation instructions and the current safety regulations.

Proper use

The Geberit AquaClean 8000plus Care is designed for cleaning the anal and vaginal area.

It may only be used as a complete solution.



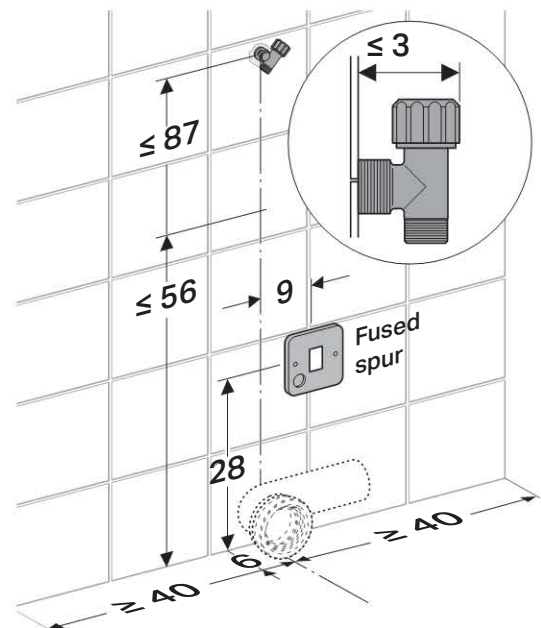
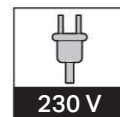
DANGER

Electric shock hazard

- ▶ The device may only be operated at power outlets or fixed connections with protective earthing.



Installation dimensions



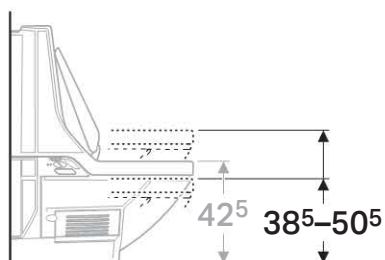


Installation for the installer

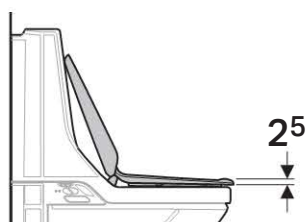
1

A

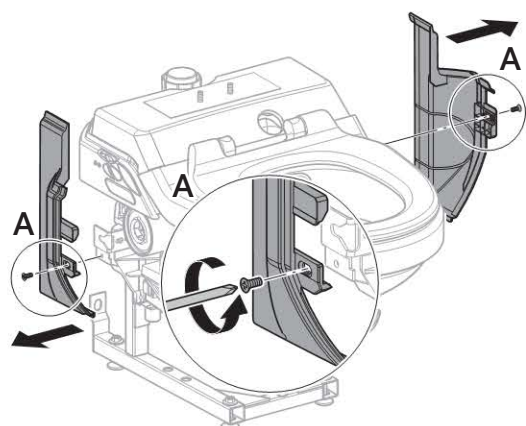
Adjusting the seat height



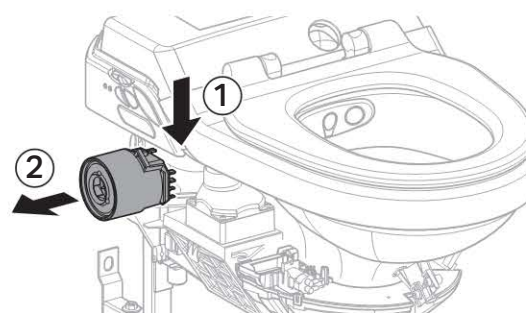
i



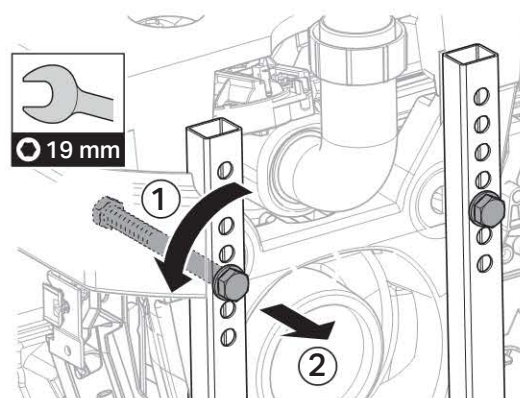
1



2



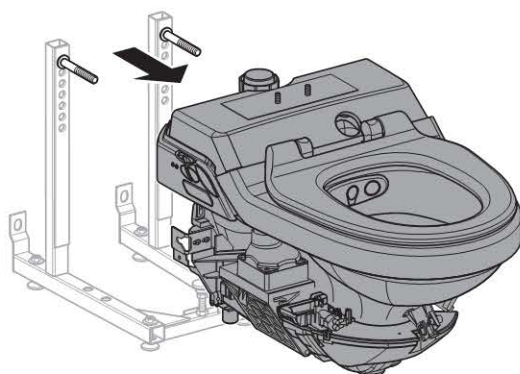
3



CAUTION
Damage to the device due to incorrect mounting position
 Water tank and conductor board may be damaged.

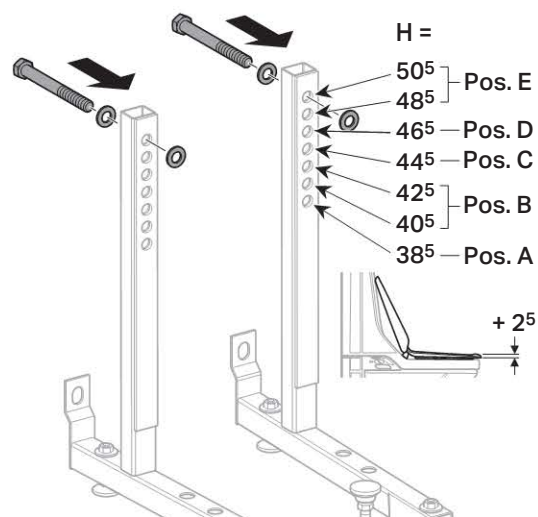
- ▶ Only hold the device by the ceramic part
- ▶ Do not support using your knees

4



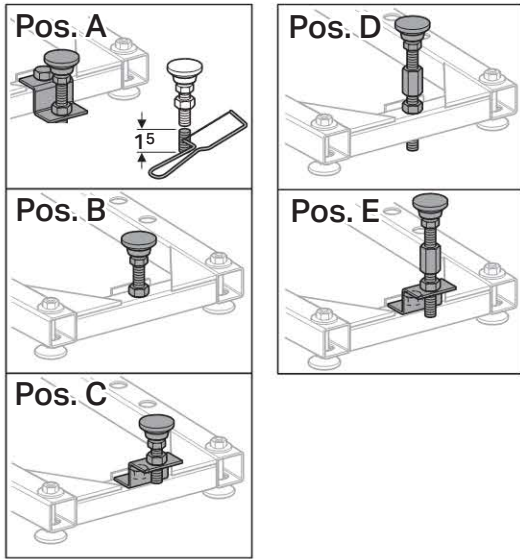
5

Remove the rear threaded rods from the frame, select the required seat height and reinsert the threaded rods in the frame.

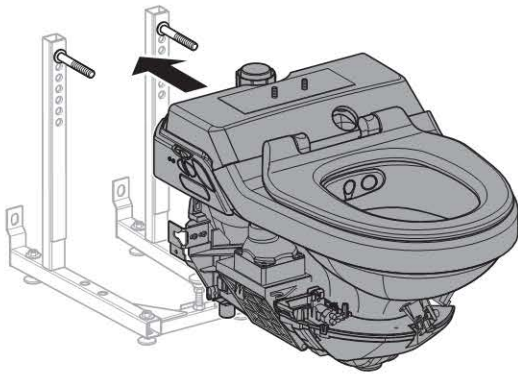




Set the bracket for the front threaded rod to the appropriate position for the selected seat height.

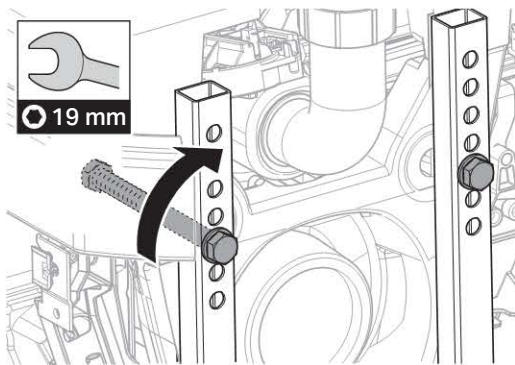


6



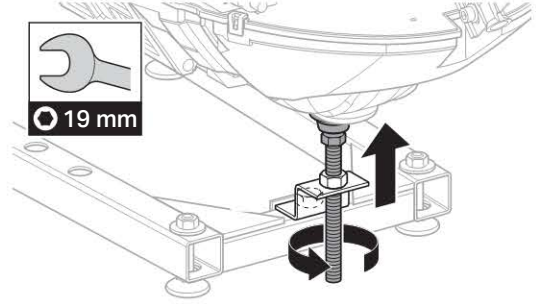
7

Attach the device to the frame.

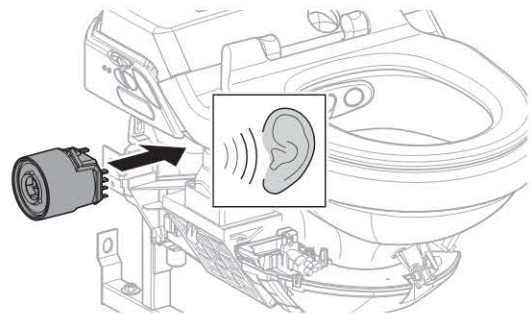


8

Adjust the front threaded rod so that it is flush with the underside of the device and then tighten



9

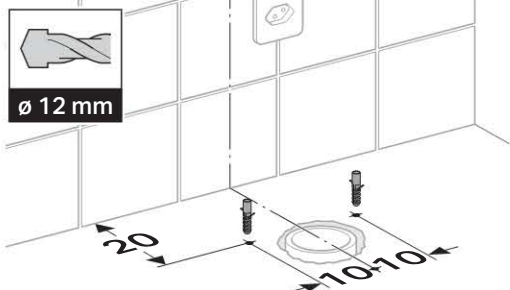


2

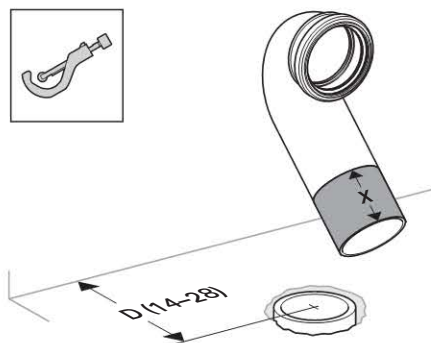
A

B

1



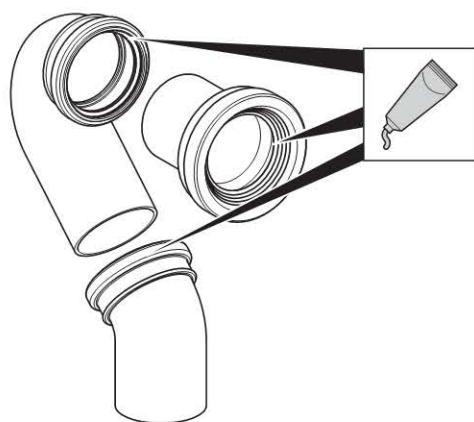
2



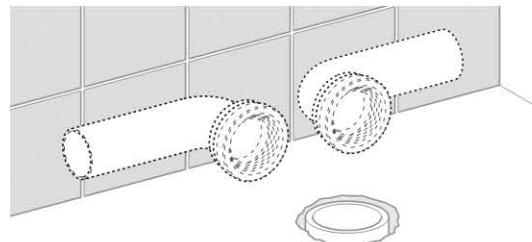
D = 14 15 16 17 18 19 20 21
X = 17² 16⁴ 15 13⁹ 12⁹ 11⁸ 10⁷ 9⁶

D = 22 23 24 25 26 27 28
X = 8⁶ 7⁵ 6⁴ 5⁴ 4³ 3² 2¹

3

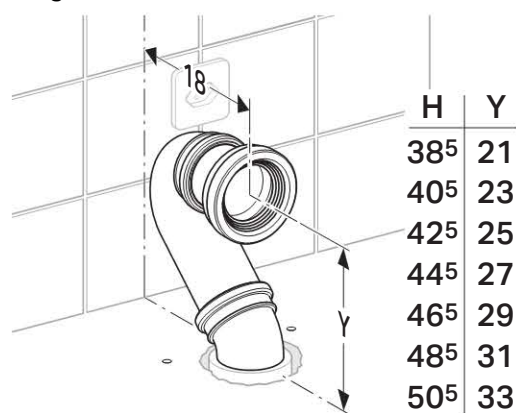


Only for sideways soil connection: Outlet bend can also be fitted in a Left or Right position.

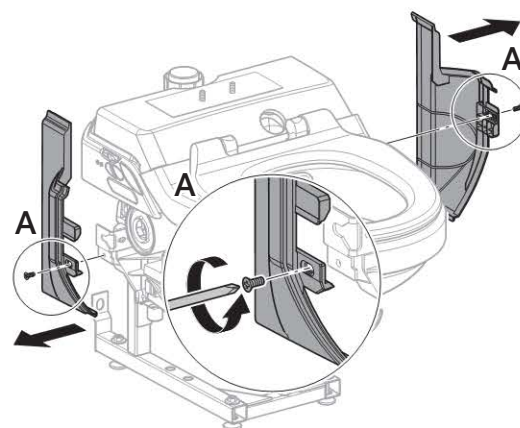


4

Determine the height of the outlet pipe with the seat height: Select the appropriate dimension for Y depending on the set frame height.

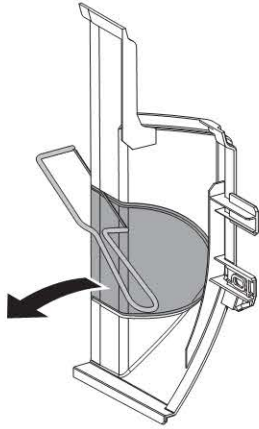


5





Only for sideways soil connection: Make cutout in either the Left or Right wing cover.



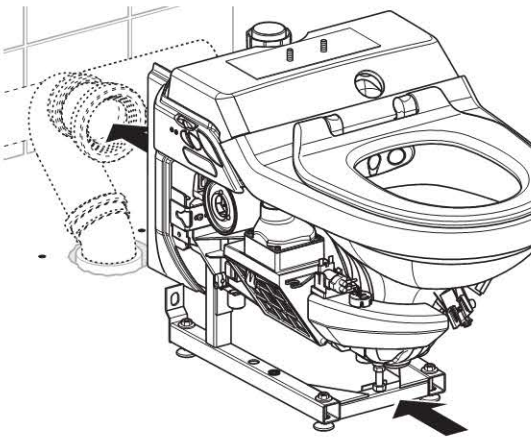
CAUTION

Damage to the device due to incorrect mounting position

Water tank and conductor board may be damaged.

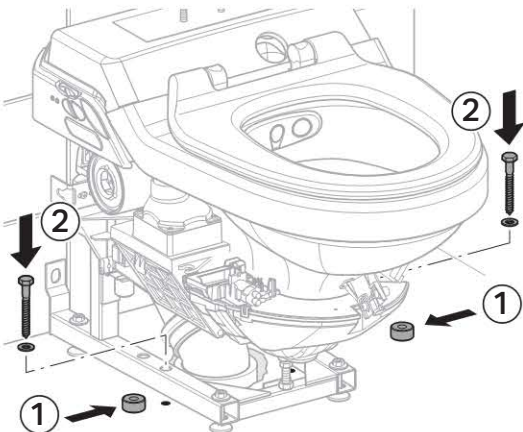
- ▶ Only hold the device by the ceramic part
- ▶ Do not support using your knees

6



7

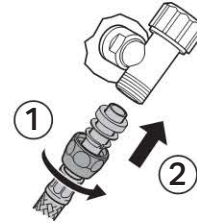
Align and attach the device.



8

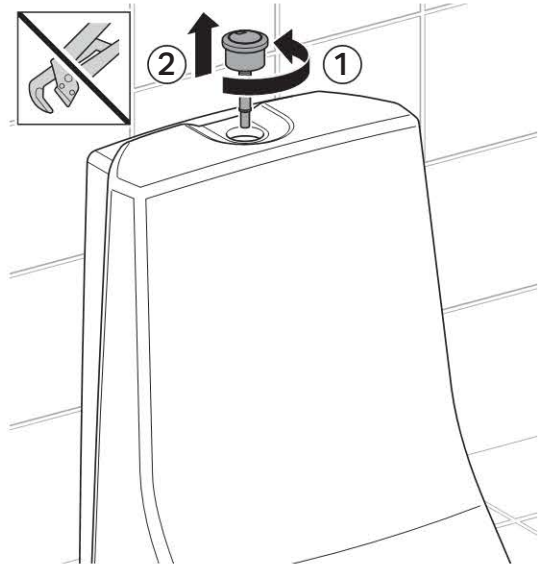


9

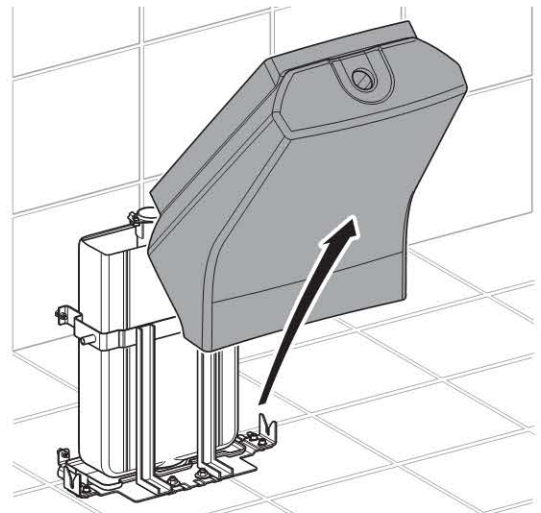


10

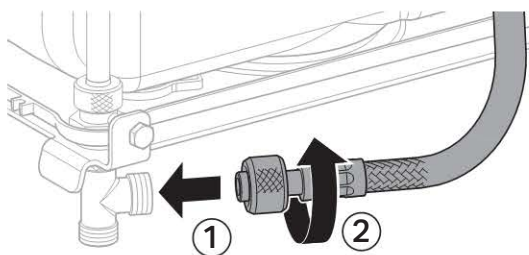
Place the cover and cistern on the floor and remove the actuator manually.



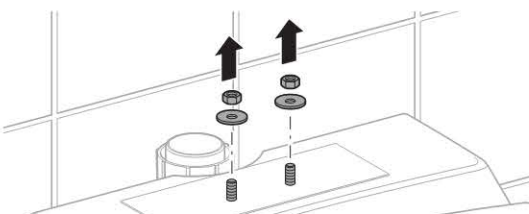
11



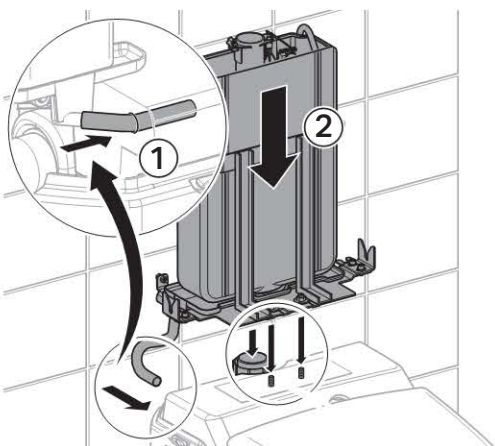
12



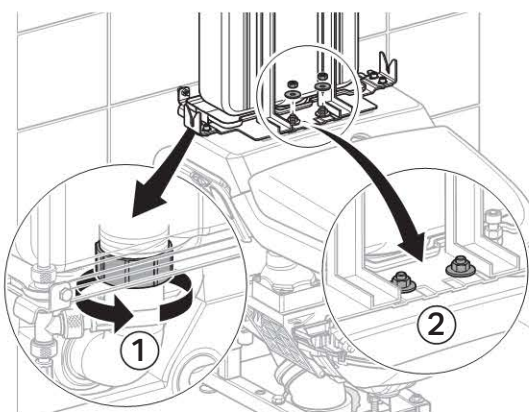
13



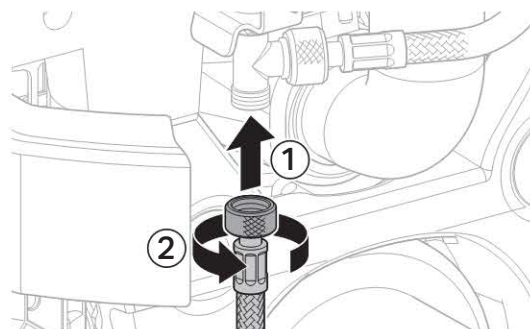
14 Position the cistern on the ceramics fastening. Insert the condensate hose.



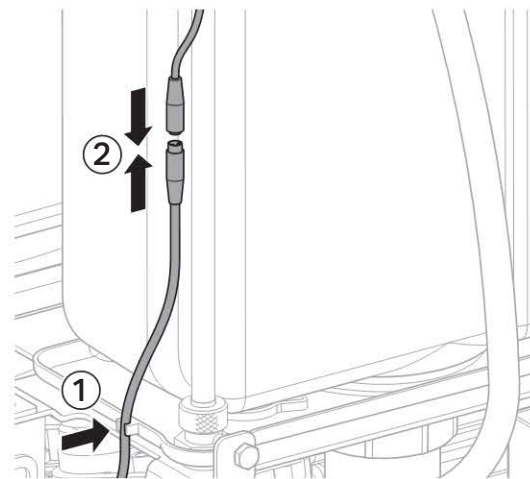
15 Connect the flush bend to the cistern. Secure the cistern frame.



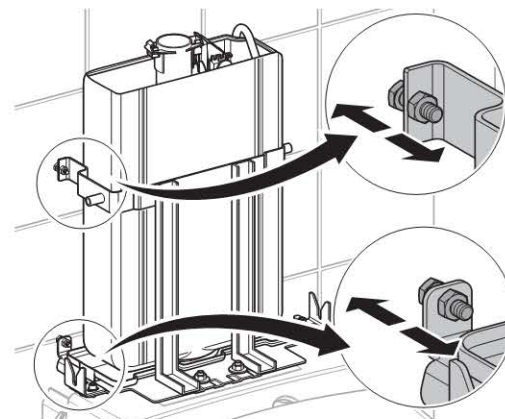
16



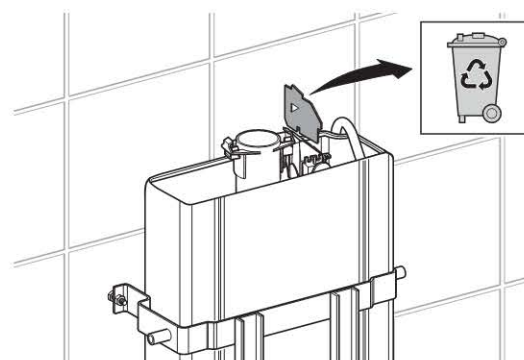
17



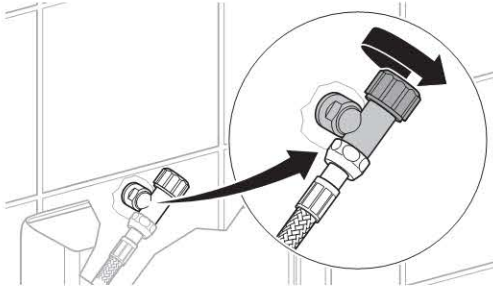
18 Align the cistern using banjo bolts.



19 Remove the transport box of the flush valve system and dispose of it correctly.



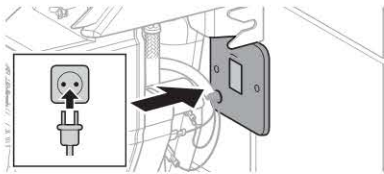
20



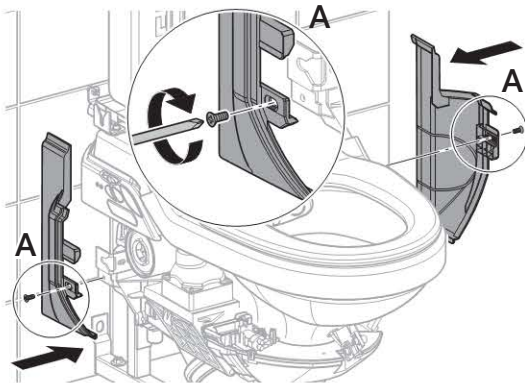
WARNING
Danger due to exposed, power-carrying parts

▶ Connect the mains connection cable to the mains power outlet.

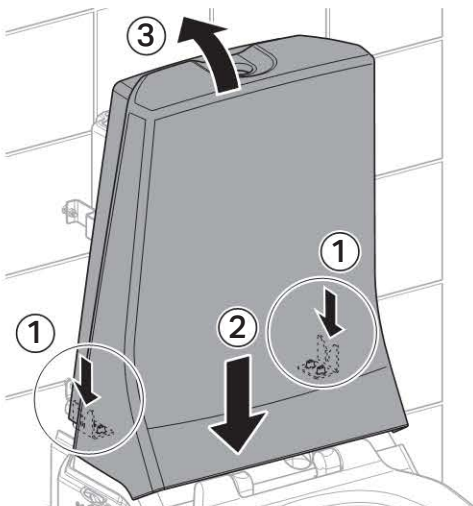
21



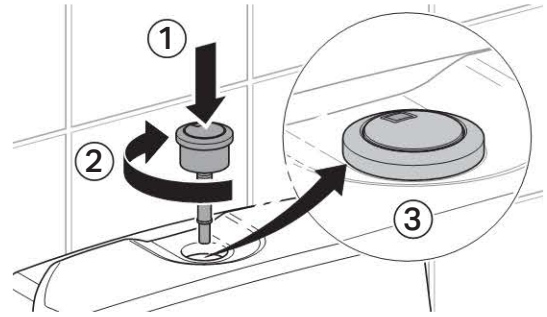
22 Attach the side covers on the left and right-hand sides.



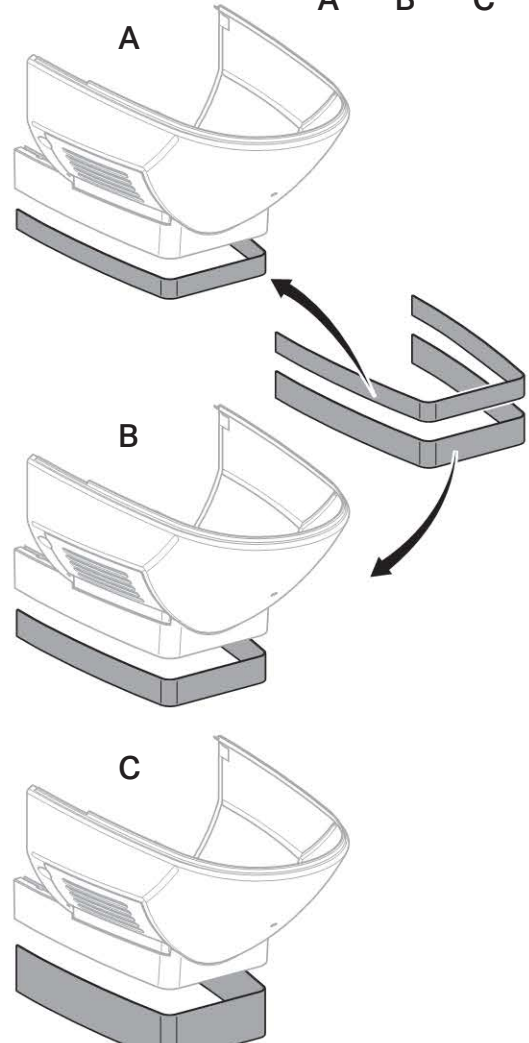
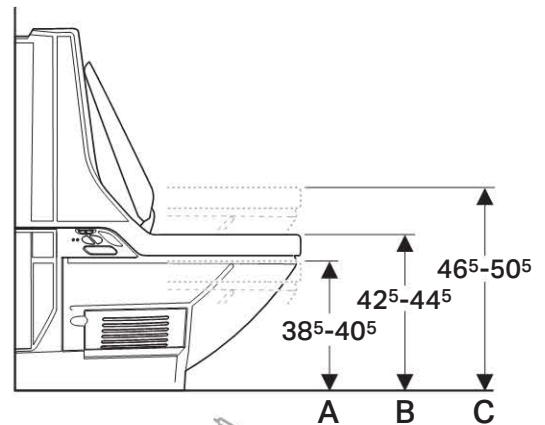
23 With the cover tilted slightly towards you, fit it in the brackets at the left and right-hand sides, then guide it downwards and push it away from you.



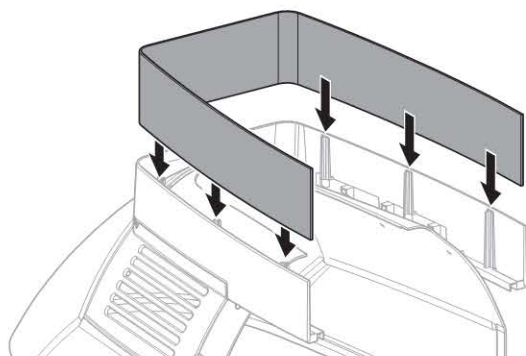
24 Insert the actuator, secure it and position it so that the small actuator button is at the rear side



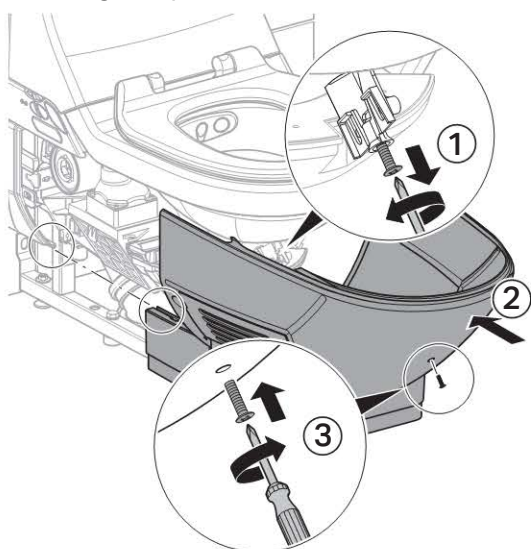
25



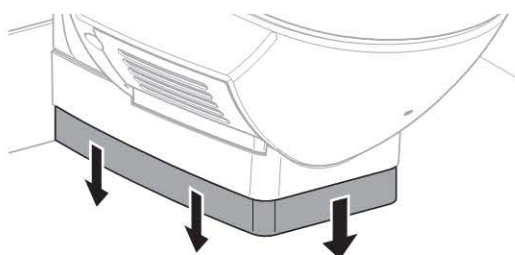
26



- 27** Stick on the stopper (observing the height of the WC lid), remove the screw, guide the cladding into place and fasten it.



- 28** Align the cover.



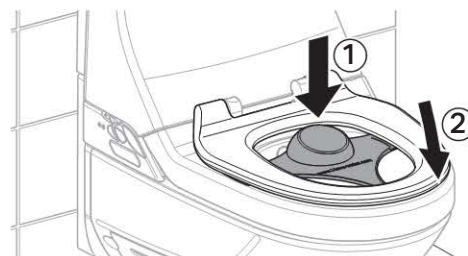
Start-up installation

Initiation programme

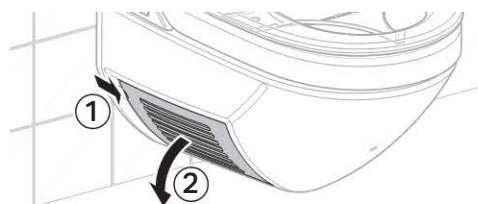
An automatic initiation programme is run before inserting or filling the active carbon filter and nozzle cleaning agent. Duration of the programme 2–9 minutes.

Start operation of the toilet

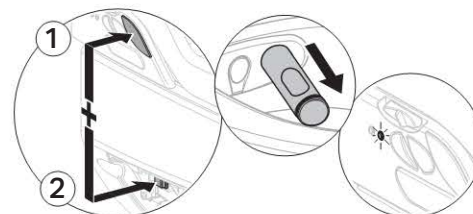
- 1** Fit the spray shield.



- 2** Open the maintenance opening.



- 3** Press and hold the main button (1) while switching on the main switch (2). Wait until the dryer arm is extended and the blue LED flashes. Initiation programme starts.

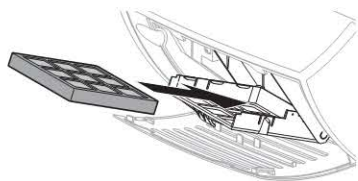


- i** The initiation programme is active as long as the blue LED flashes. If a fault occurs, the programme is cancelled after 9 minutes and the red LED flashes.

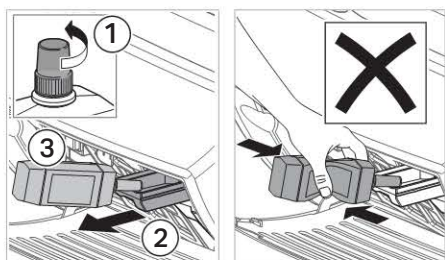
- i** If the red LED flashes, the fault (e.g. lack of water) must be rectified and the initiation programme must be restarted.



- 4** Insert the active carbon filter.



- 5** Remove the screw cap of the nozzle cleaning agent and pull out the filling tray on the toilet. Lift the bottle and turn it around. The nozzle cleaning agent automatically flows into the tank. Do not squeeze the bottle, as the nozzle cleaning agent could spray outside the tank.

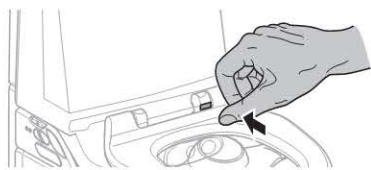


- 6** Reinsert the filling tray and close the maintenance opening.

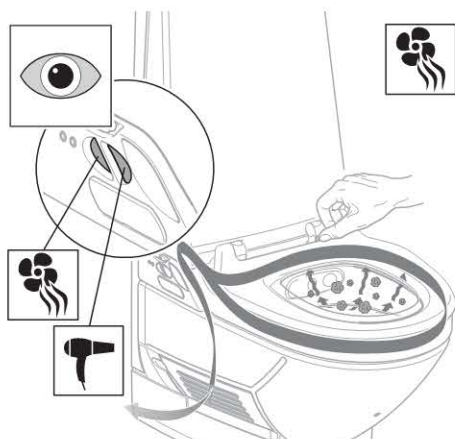
- i** If active carbon filter and nozzle cleaning agent are not used/topped up, the red LED will light up.



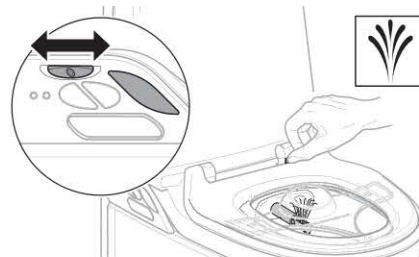
- 7** Cover the window of the user detection with your hand and keep it covered.



- 8** Check if the <Air purifier> and <Dryer> buttons are pressed on the control panel. If not, press both buttons. Air purifier starts.



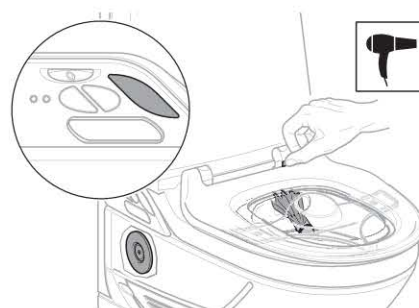
- 9** Press the <Shower> button. The shower arm extends and the spray starts. Increase or lower the spray intensity by pressing the slider forwards <+> or backwards <->.



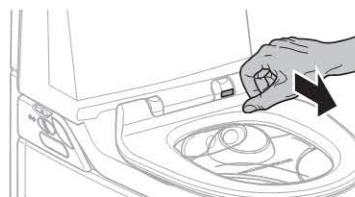
- 10** Wait for 3 minutes and check the shower water temperature.



- 11** Press the <Shower> button again. The dryer arm retracts. The shower arm extends and the dryer starts.

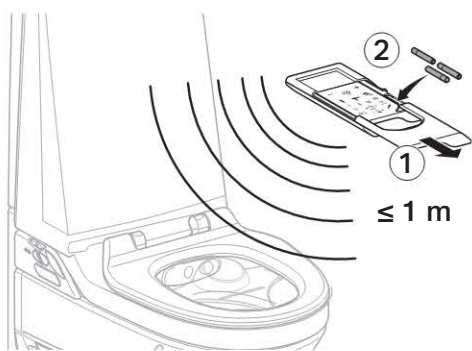


- 12** Remove your hand from the window of the user detection. The dryer stops.

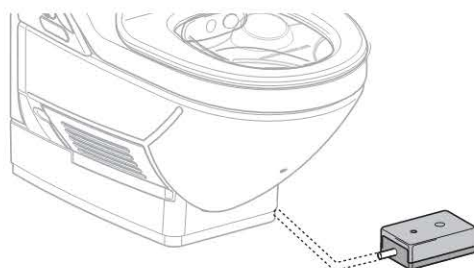


- i** The remote control must be closer than 1 m to the toilet so that the remote control detects the toilet.

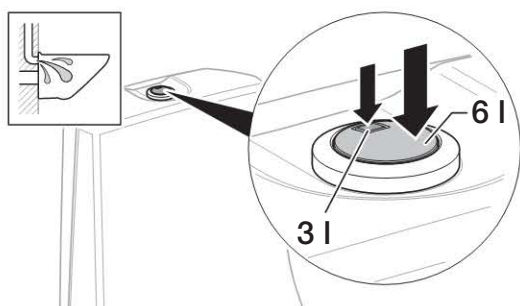
- 13** Slide the cover of the remote control up until the end position. Then remove the slider by pressing the catch and insert the supplied batteries (3 x size AAA/type 1.5 V) into the remote control.



- 14** Mount optical remote control at the appropriate place.



- 15** Press the small button (which causes both buttons to be pressed) to release a partial flush (3 l). Press the large button to release a full flush (6 l).



- 16** Remove the spray shield and store for later use.

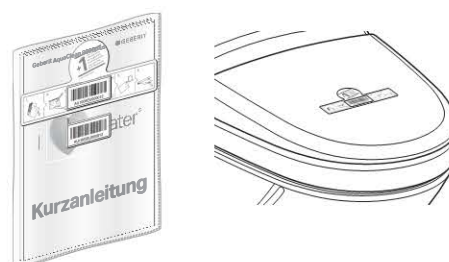
Handing over the toilet to the customer, ready for operation

- 1** Explain the main functions of the toilet to the customer.

i Refer to the operating instructions for detailed information.

- 2** Hand over end-user documentation to the customer.

- 3** Fill in the warranty card together with the customer (end-user documentation), attach the serial number sticker and send it to Geberit.



- 4** Attach a second serial number sticker, for example to the last page of the operating instructions, so it is available for later use.

Geberit International AG
Schachenstrasse 77
CH-8645 Jona

T +41 55 221 63 00
F +41 55 221 63 16
documentation@geberit.com

→ www.geberit.com